

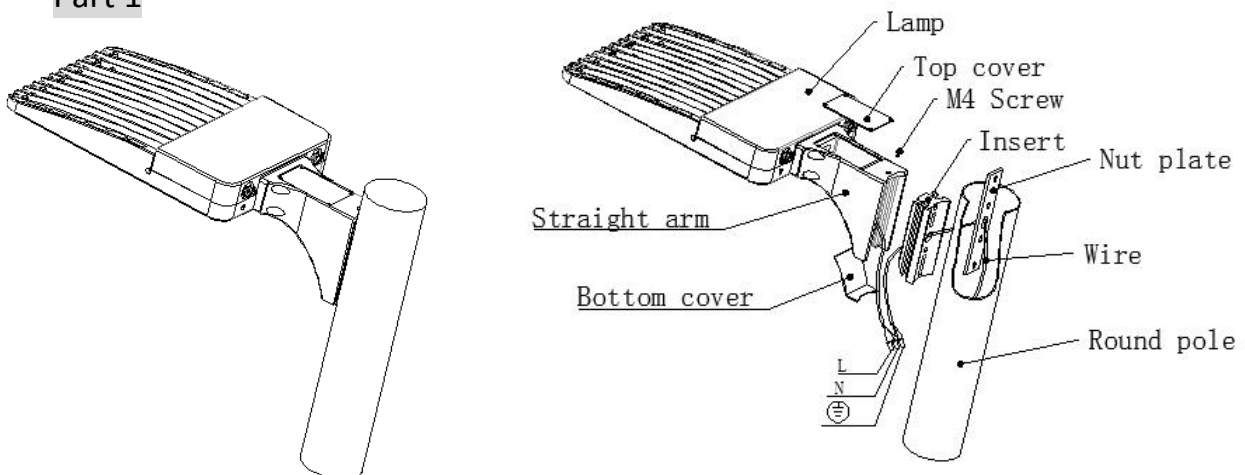
INSTALLATION GUIDE

IMPORTANT SAFEGUARDS:

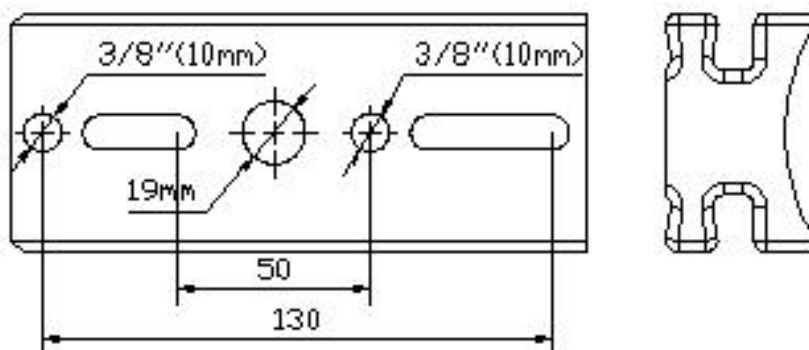
1. Read and follow all safety instructions.
2. Lights must be installed by professional electrician.
3. This instruction is for AF100 & AF150
4. Should you have any question, please contact us or local distributors for help.
5. **Disconnect power before installation.**

TO INSTALL:

Part 1



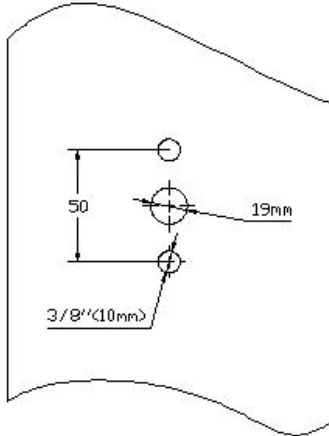
Part 2 insert hole size



STRAIGHT ARM MOUNT FOR ROUND POLE

STEP 1.

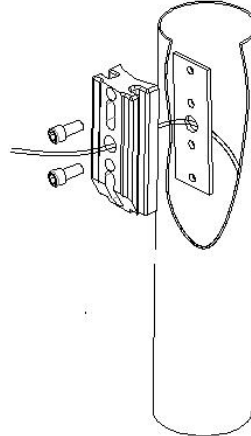
Verify there there is access from top of the pole. Use dimension on **Picture 1** for drilling if pole is not pre-drilled. (Template is not to scale)



Picture 1

STEP 2.

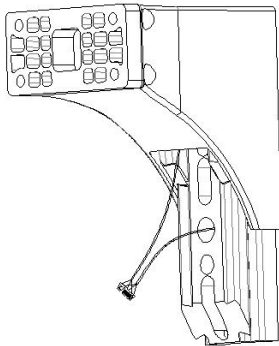
From top of the pole put Nut Plate in, install Insert on the pole by assembling 2 bolts on Nut Plate. Then route the cord coming from the pole through the hole of Insert. **See Picture 2;**



Picture 2

STEP 3.

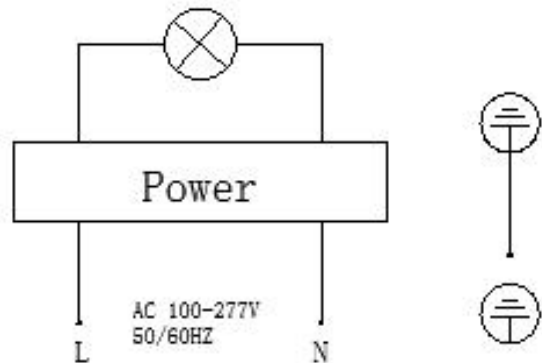
Slide the mounting arm to the third of insert. **See Picture 3.** (Mounting arm has been installed on the fixture already.)



Picture3

STEP 4.

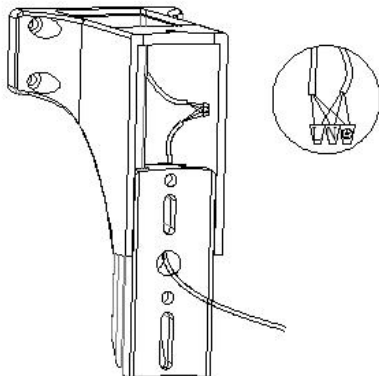
See the Electrical Connections Diagram for wiring instructions.



Electrical Connections Diagram

STEP 5.

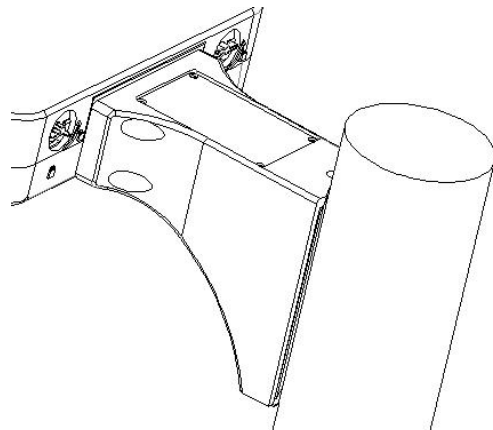
Get wires into the bracket compartment. Then slide the mounting arm to the insert till fully clamped. **See Picture 4;**



Picture 4

STEP 6.

Install Top Cover. **See Picture 5;**



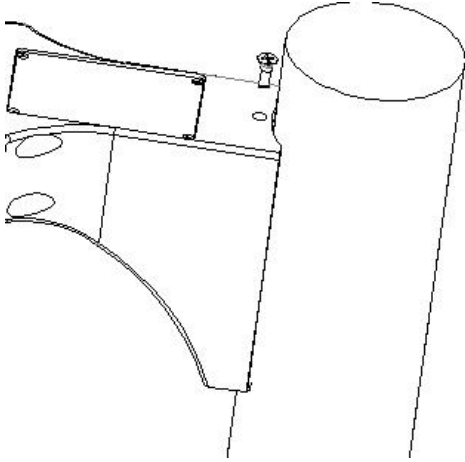
Picture 5



STEP 7.

Tighten M4 Screw on the top of arm to fix mounting arm.

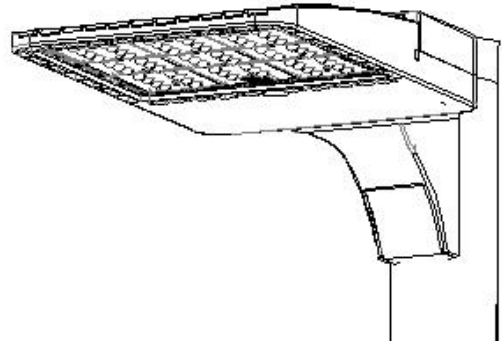
See Picture 6;



Picture 6

STEP 8.

Slot the Bottom Cover.



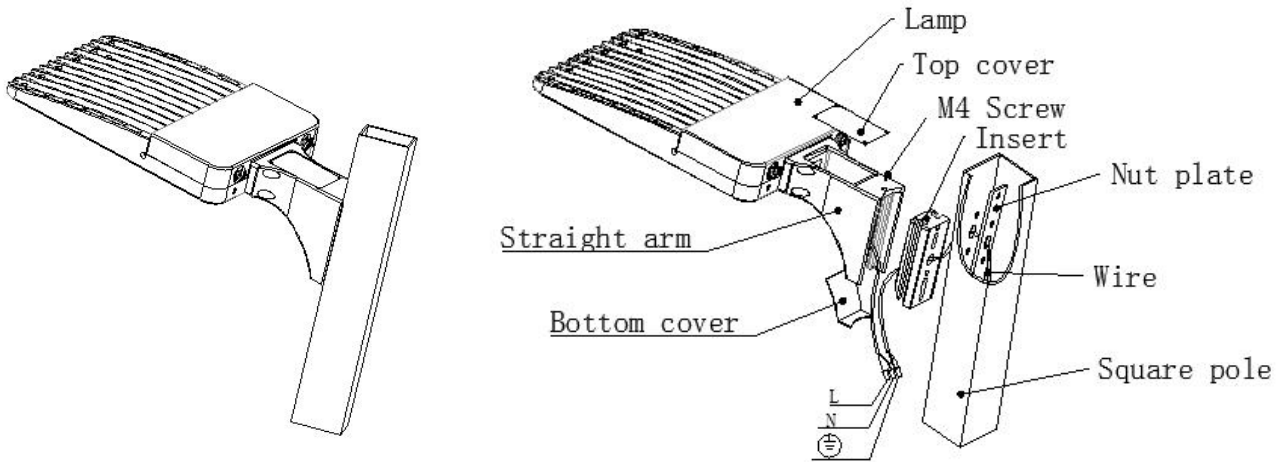
INSTALLATION GUIDE

IMPORTANT SAFEGUARDS:

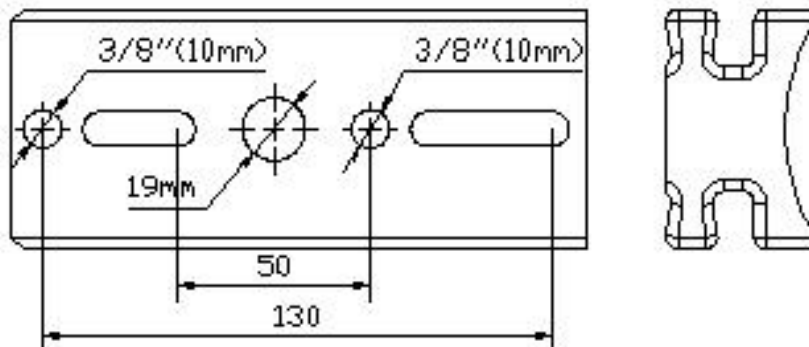
1. Read and follow all safety instructions.
2. Lights must be installed by professional electrician.
3. This instruction is for AF100 & AF150
4. Should you have any question, please contact us or local distributors for help.
5. **Disconnect power before installation.**

TO INSTALL:

Part 1



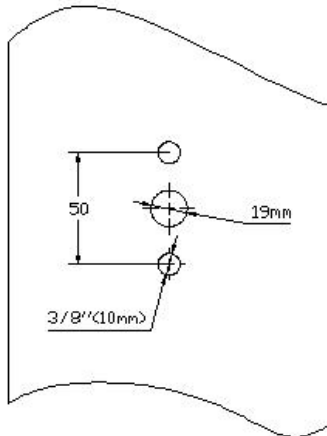
Part 2 insert hole size



STRAIGHT ARM MOUNT FOR SQUARE POLE

STEP 1.

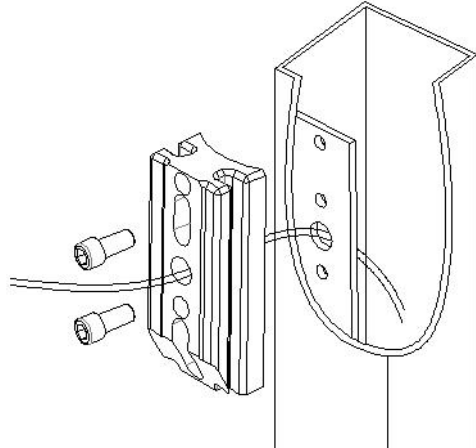
Verify there there is access from top of the pole. Use dimension on **Picture 1** for drilling if pole is not pre-drilled. (Template is not to scale)



Picture 1

STEP 2.

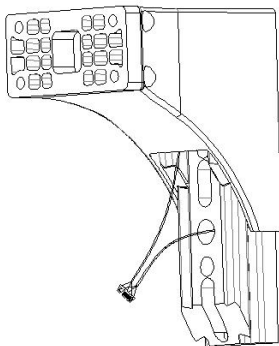
From top of the pole put Nut Plate in, install Insert on the pole by assembling 2 bolts on Nut Plate. Then route the cord coming from the pole through the hole of Insert. **See Picture 2;**



Picture 2

STEP 3.

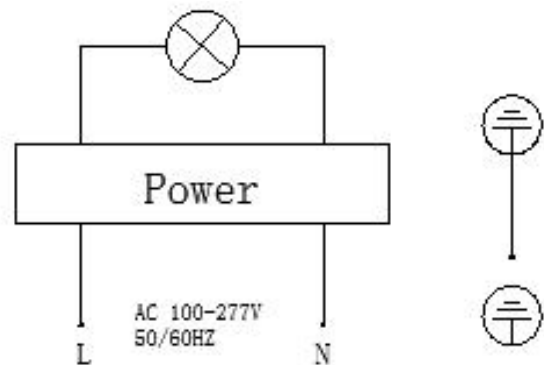
Slide the mounting arm to the third of insert. **See Picture 3.** (Mounting arm has been installed on the fixture already.)



Picture3

STEP 4.

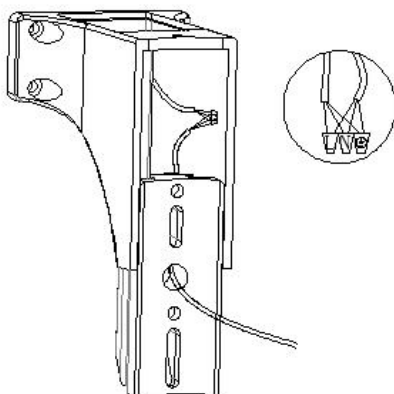
See the Electrical Connections Diagram for wiring instructions.



Electrical Connections Diagram

STEP 5.

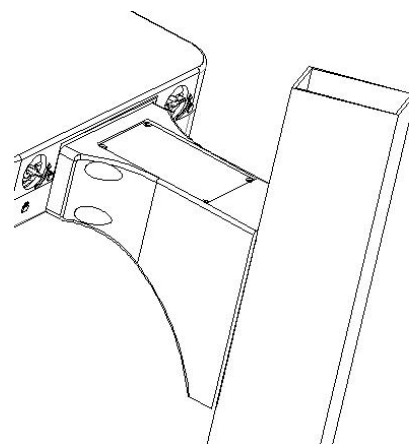
Get wires into the bracket compartment. Then slide the mounting arm to the insert till fully clamped. **See Picture 4;**



Picture 4

STEP 6.

Install Top Cover. **See Picture 5;**

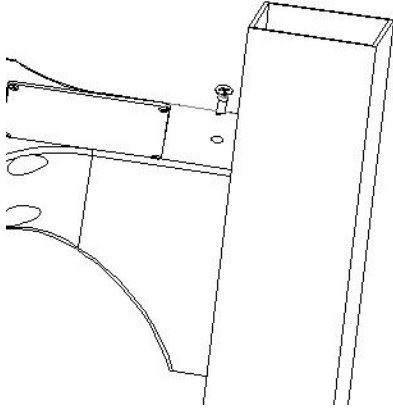


Picture 5

STEP 7.

Tighten M4 Screw on the top of arm to fix mounting arm.

See Picture 6;



See Picture 6

STEP 8.

Slot the Bottom Cover.

