



WP60 LED Wall Pack Light

The Ideal energy efficient replacement for existing 250 WATT metal halide wall packs. The WP series strikes the right balance between energy efficiency and exceptional bright, white light. Also available in Amber color output at >80 lm/watt



WP60		
	100V - 240V (480 optional)	
	60 WATTS	
	7,200 LM 120 Lm/W	
	5,000 - 5,500K CCT	83 CRI
	11.5" x 9.5" x 9"	
	60,000 HOURS	
	Dark Bronze	
	14 Lbs 6.3KG	IP65
	Five Year Warranty	



83+ CRI
Try Color
Technology



Amerlight's
LED Brightest
in the Industry



Five Year
Warranty

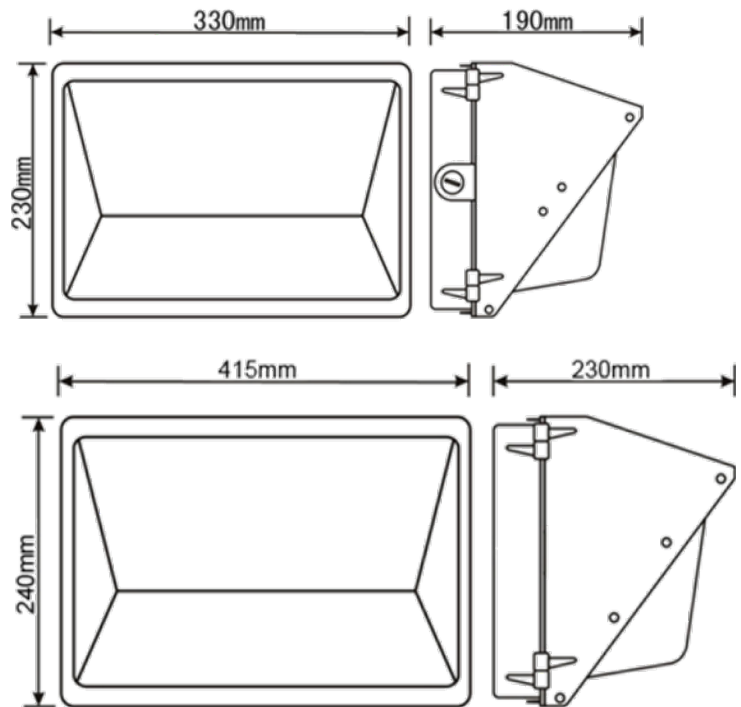
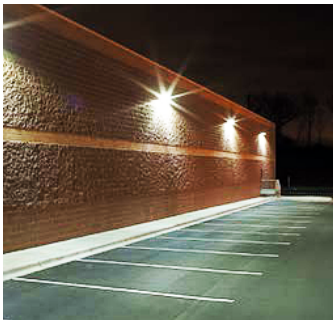
Designed and Assembled in the USA



AMERLIGHT
Advanced LED Technology

amerlight.com

MORE LIGHT LESS ENERGY LOWER COST



Installation

CONSTRUCTION — Heavy gauge die-cast aluminum housing with hinged opening to mount box to directly to the wall. Multiple internal fastener holes for mounting box directly to wall. Center knockout for S/O cord or side knockout available. Continuous silicone gasket surrounds lens for weather-tight seal. Lens: Thermal shock resistant tempered glass or plastic lens. Standard finish is dark bronze corrosion resistant electrostatic powder coated.



AMERLIGHT
Advanced LED Technology

amerlight.com